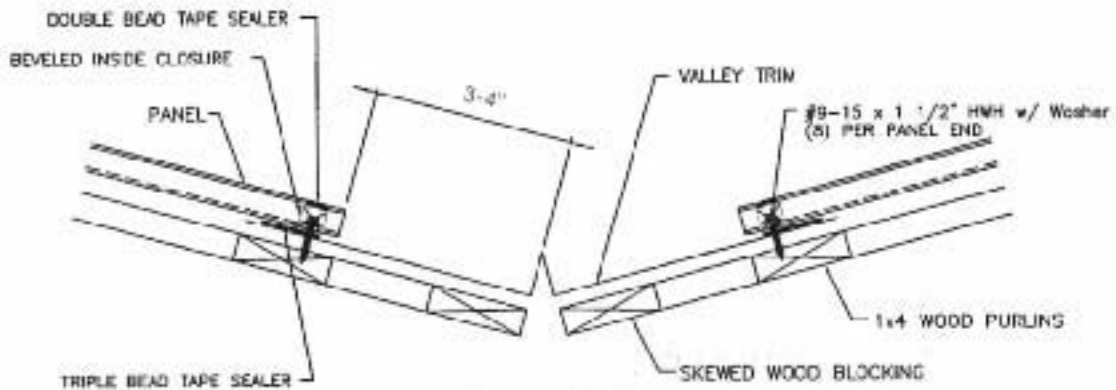
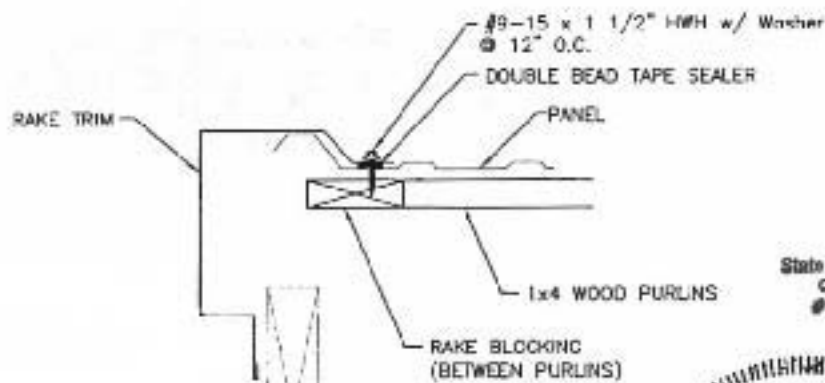


GARRISON DESIGN & CONSTRUCTION RIB TYPICAL DETAILS OVER 1x4 WOOD PURLINS



TYPICAL DETAIL
VALLEY



State of Florida
C.O.A.
26778

TYPICAL DETAILS
RAKE

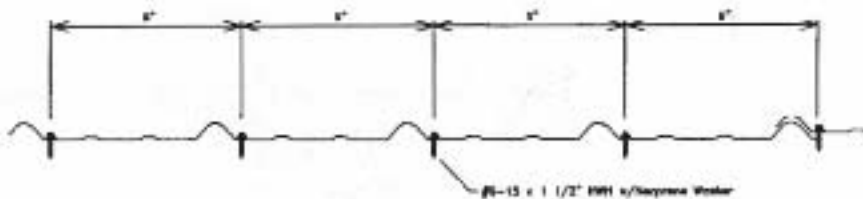
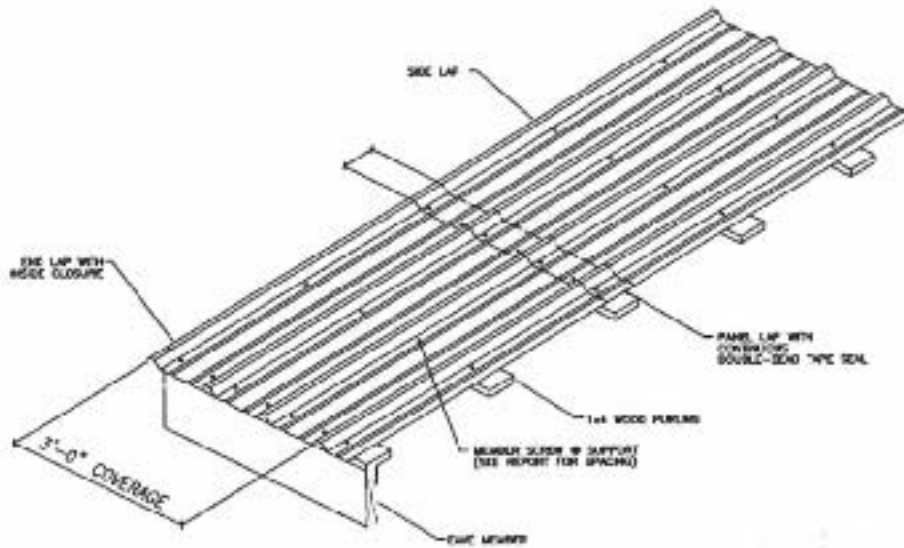


DRAWN BY:	DATE DRAWN:
CHECKED BY:	DATE CHECKED:
APPROVED BY:	DATE APPROVED:



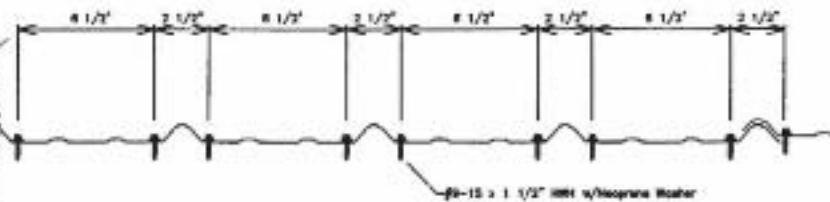
JOB NO.:	
DRG NO.:	D1
REV NO.:	0

GARRISON DESIGN & CONSTRUCTION TYPICAL DETAILS OVER 1x4 WOOD PURLINS



State of Florida
C.O.A.
26778

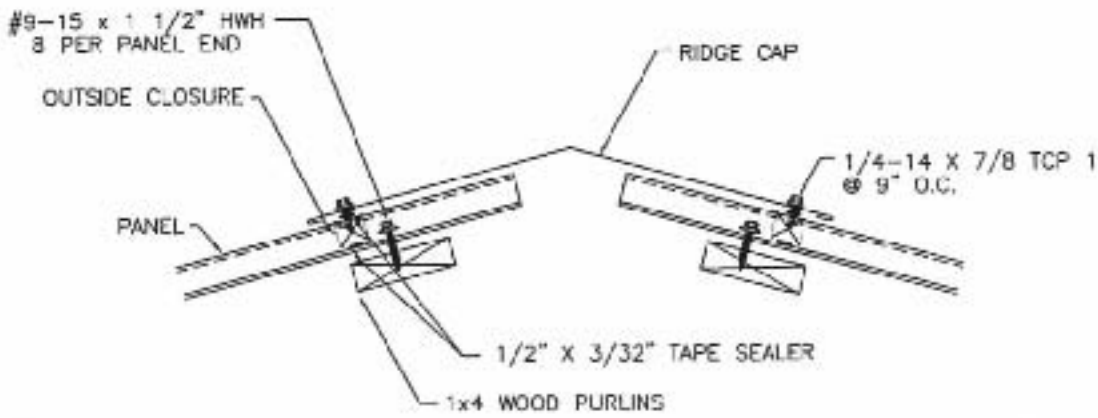
STANDARD FASTENER PATTERN



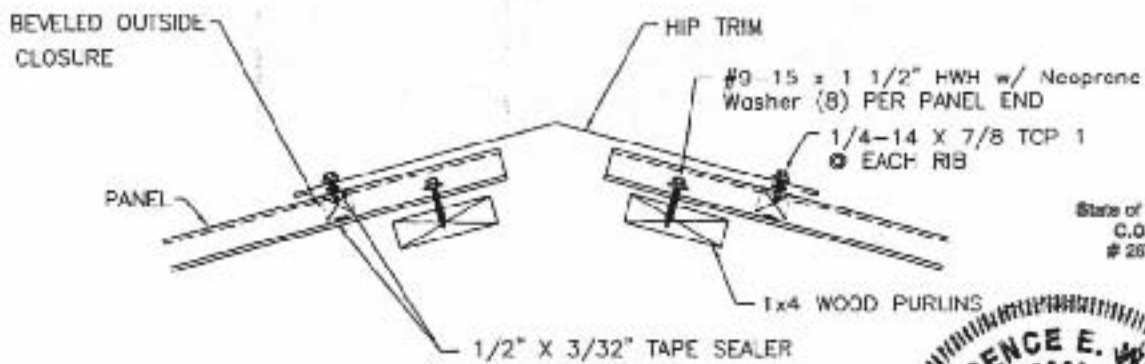
PANEL END/END LAP PATTERN

DRAWN BY:	DATE DRAWN:	 Force Engineering & Testing Inc. 2425 F. S. Houston Ave. Suite B. Humble, Tx. 77336 (281) 540-6803 Fax: (281) 540-0908	JOB NO:	----
CHECKED BY:	DATE CHECKED:		ENG NO:	D2
APPROVED BY:	DATE APPROVED:		REV NO:	0

GARRISON DESIGN & CONSTRUCTION TYPICAL DETAILS OVER 1x4 WOOD PURLINS



TYPICAL DETAILS
RIDGE



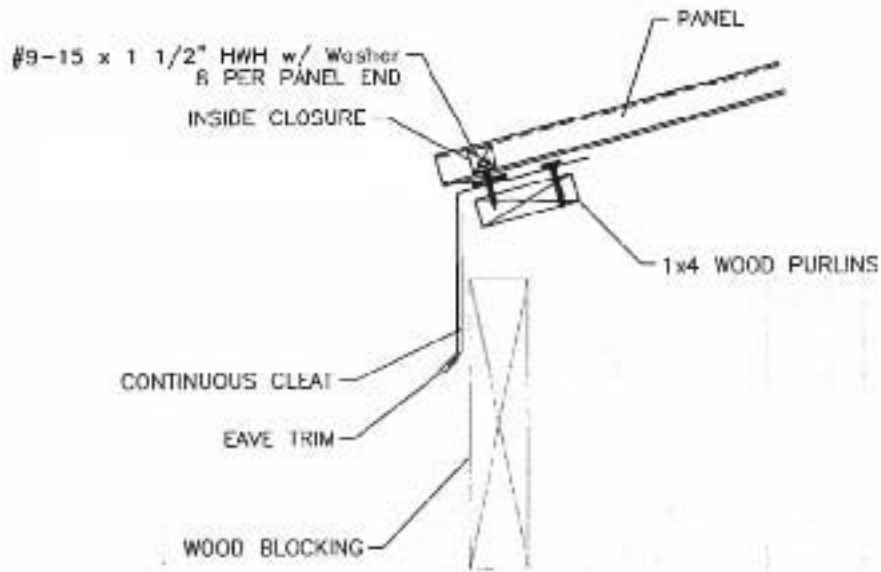
State of Florida
C.O.A.
28778

TYPICAL DETAILS
HIP



<table border="1"> <tr> <td>DRAWN BY:</td> <td>DATE DRAWN:</td> </tr> <tr> <td>CHECKED BY:</td> <td>DATE CHECKED:</td> </tr> <tr> <td>APPROVED BY:</td> <td>DATE APPROVED:</td> </tr> </table>	DRAWN BY:	DATE DRAWN:	CHECKED BY:	DATE CHECKED:	APPROVED BY:	DATE APPROVED:	<p>Perce Engineering & Testing Inc. 2425 A.S. Houston Ave. Suite 5 Houston, Tx. 77306 (281) 340-8803 Fax: (281) 348-0888</p>	<table border="1"> <tr> <td>JOB NO:</td> <td>---</td> </tr> <tr> <td>DWG NO:</td> <td>D3</td> </tr> <tr> <td>REV NO:</td> <td>0</td> </tr> </table>	JOB NO:	---	DWG NO:	D3	REV NO:	0
DRAWN BY:	DATE DRAWN:													
CHECKED BY:	DATE CHECKED:													
APPROVED BY:	DATE APPROVED:													
JOB NO:	---													
DWG NO:	D3													
REV NO:	0													


GARRISON DESIGN & CONSTRUCTION TYPICAL DETAILS OVER 1x4 WOOD PURLINS



TYPICAL DETAILS
EAVE

State of Florida
C.O.A.
26778



DRAWN BY:	DATE DRAWN:	 Force Engineering & Testing Inc. 2145 N. S. Highway Ave. Suite 9 Fort Worth, TX 76106 (817) 543-6433 Fax (817) 540-8918	JOB NO:	---
CHECKED BY:	DATE CHECKED:		DWG NO:	04
APPROVED BY:	DATE APPROVED:		REV NO:	0