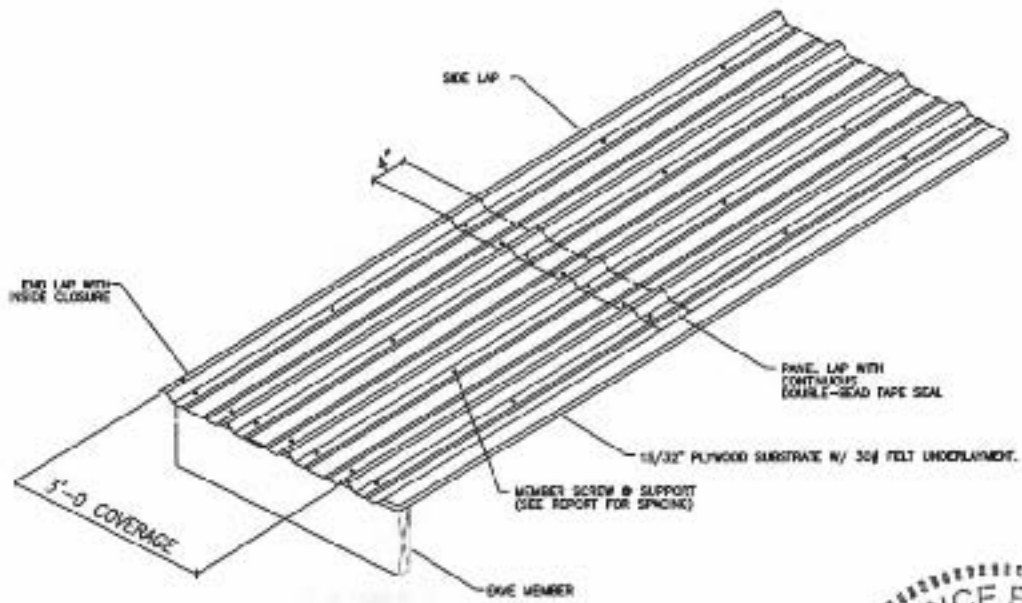
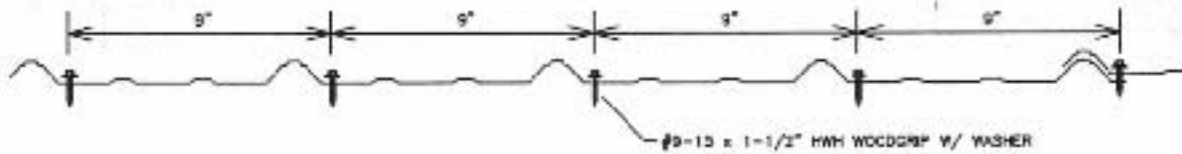


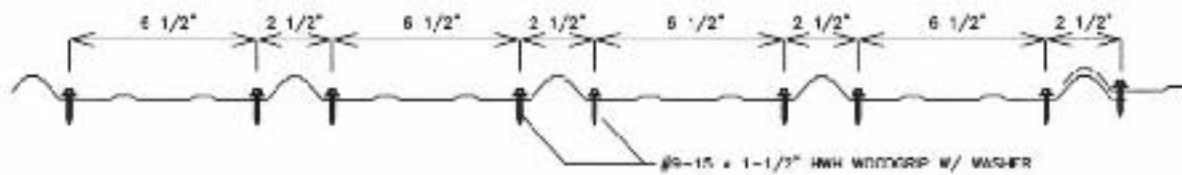
RIB METAL ROOFING TYPICAL DETAILS OVER PLYWOOD



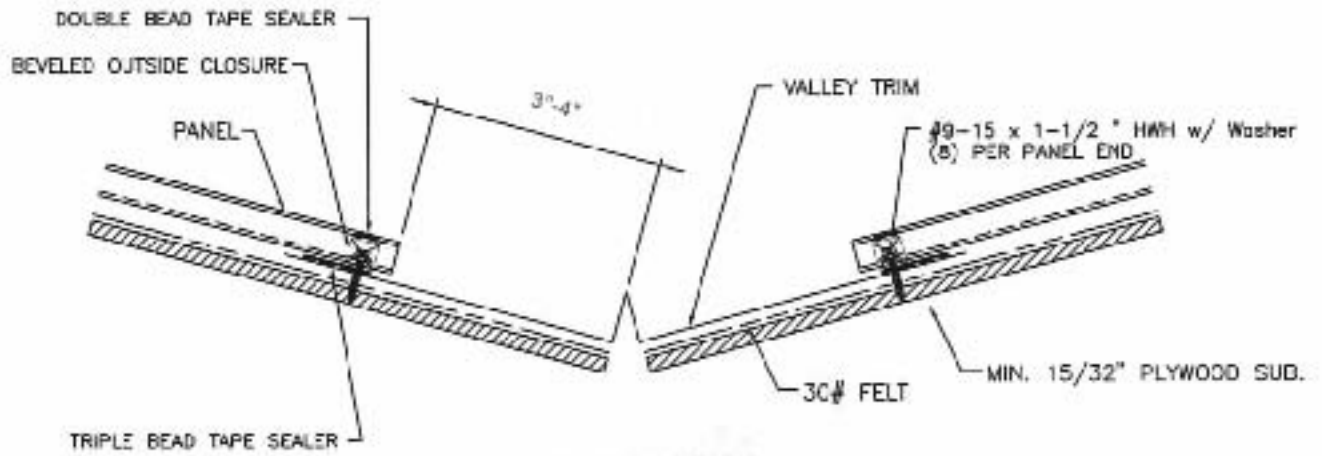
FASTENER PATTERN TYPE A, AT 24" O.C.



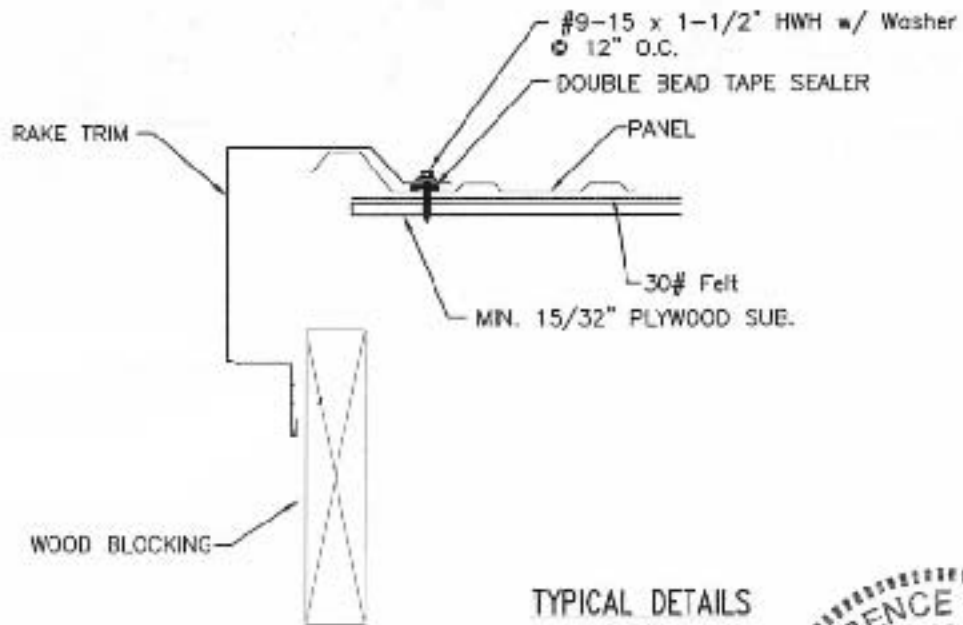
FASTENER PATTERN TYPE B, AT 12" O.C.



RIB METAL ROOFING TYPICAL DETAILS OVER PLYWOOD



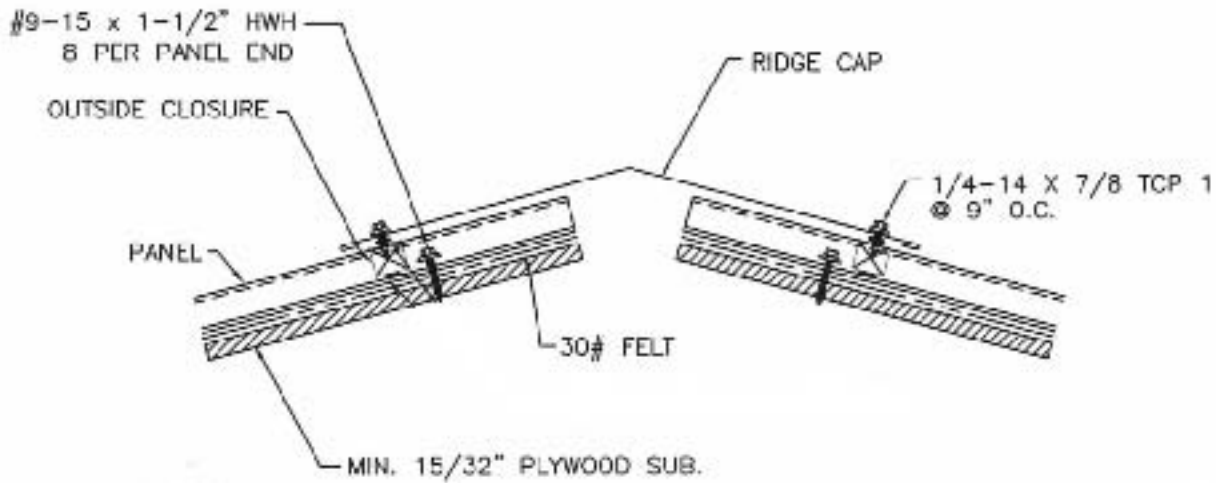
TYPICAL DETAIL VALLEY



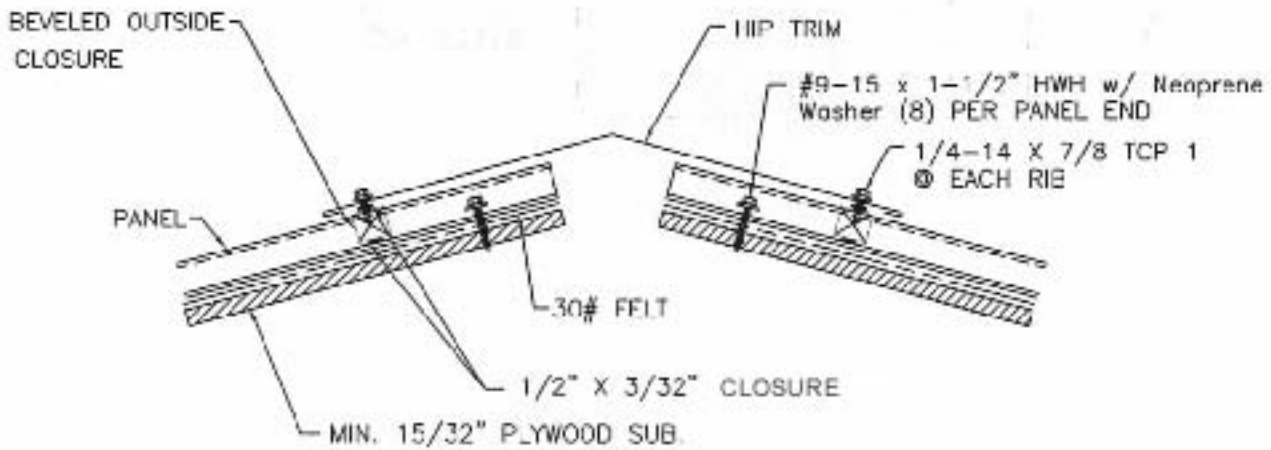
TYPICAL DETAILS RAKE



R13 METAL ROOFING TYPICAL DETAILS OVER PLYWOOD



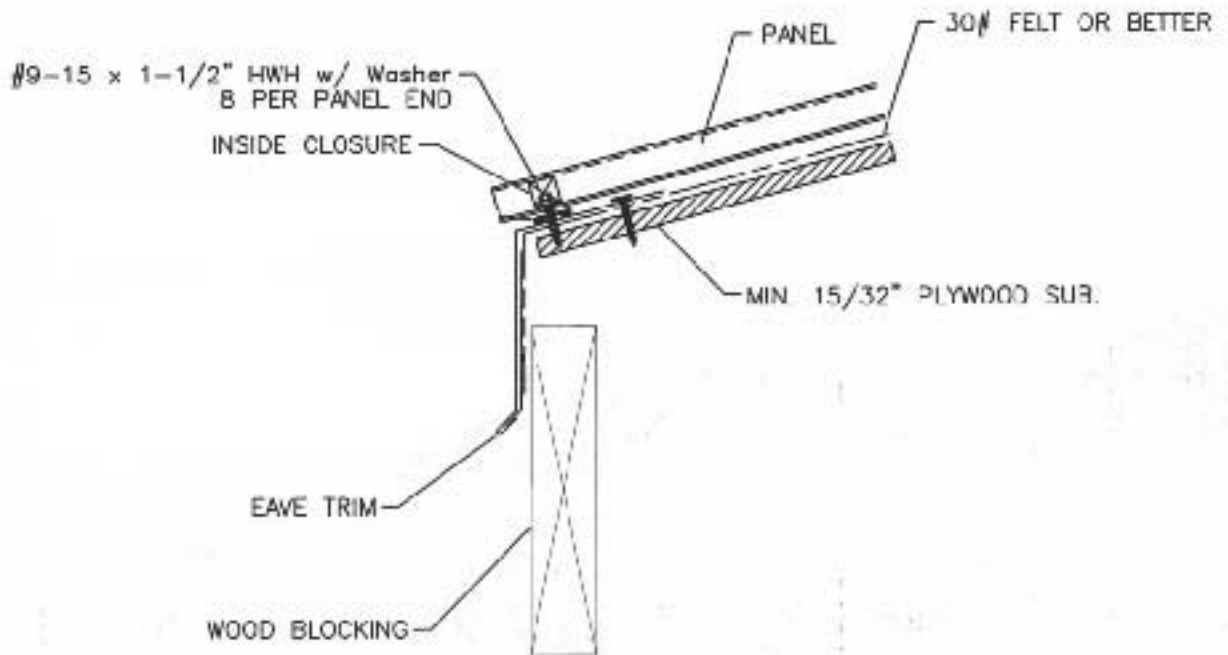
TYPICAL DETAILS
RIDGE



TYPICAL DETAILS
HIP



RIB METAL ROOFING TYPICAL DETAILS OVER PLYWOOD



TYPICAL DETAILS
EAVE

